

Installation Notes:

General description

This SD audio door entry system is ideally suited to installations for single family properties or small offices.

Cabling & Power

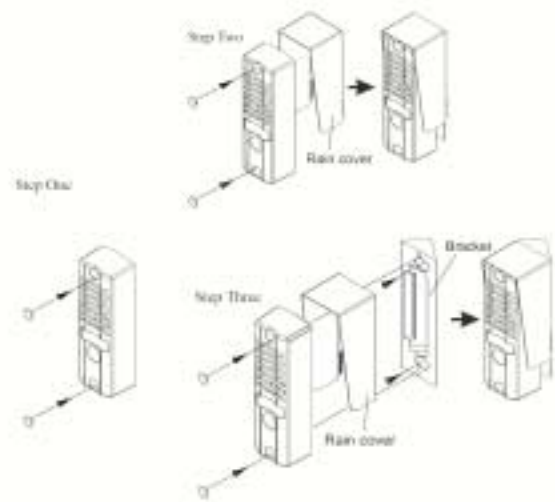
The system gets power from the mains fed via the video monitor. A 12V DC plug in power supply is provided with the kit. You may install this plug in power supply at a convenient location and extend its cable up to 20 metres.

If you are fitting a locking device you will need a power supply for that and we recommend fitting both units together.

External panel

This should be sited out of direct sunlight and not in exposed locations to avoid direct rain through the speaker grille.

The panel hood is secured to the wall with 2 screws. The camera assembly is secured to the hood with one screw underneath.



IMPORTANT
DO NOT OVER TIGHTEN
the panel fixing screw

Mount the panel at 1500mm from floor level.

Telephone handset

The telephone handset SD720AR7 should be mounted at a height of approx. 1500mm above the floor level.

The handset has the built in facility for intercom between the phones as well as communication with the door panel. There are 2 buttons on the telephone handset

Call

The call button will ring all telephone handsets on the system. If answered the telephone handsets allow intercommunication without being over heard at the door panel.

Lock

Pressing the lock release button closes the switch L1 - L2. This voltage free switch can be directly connected to access control (egress input) or connected for electric lock by following the diagram below.



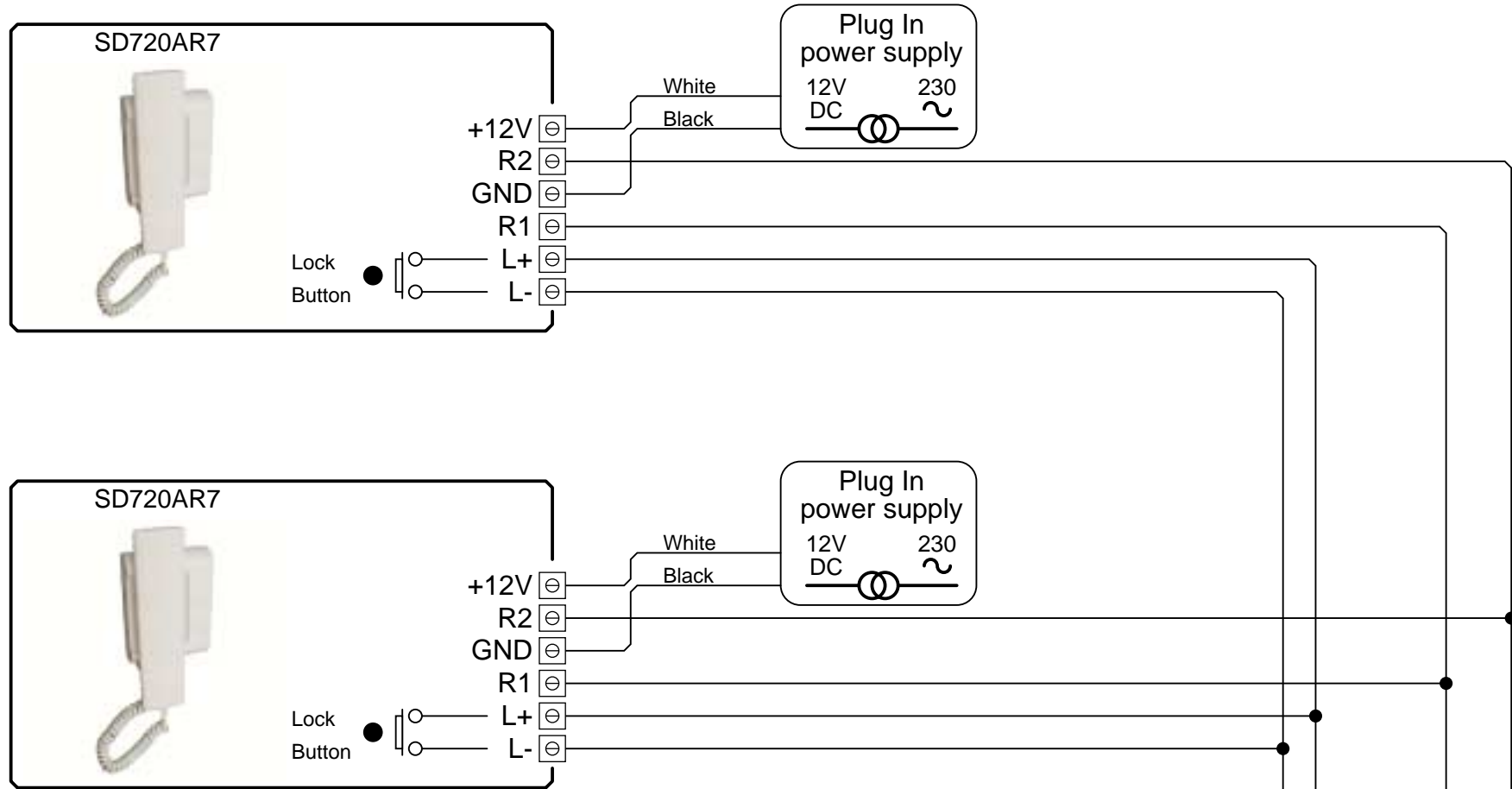
Trouble shooting

Check 12V DC from the power supply

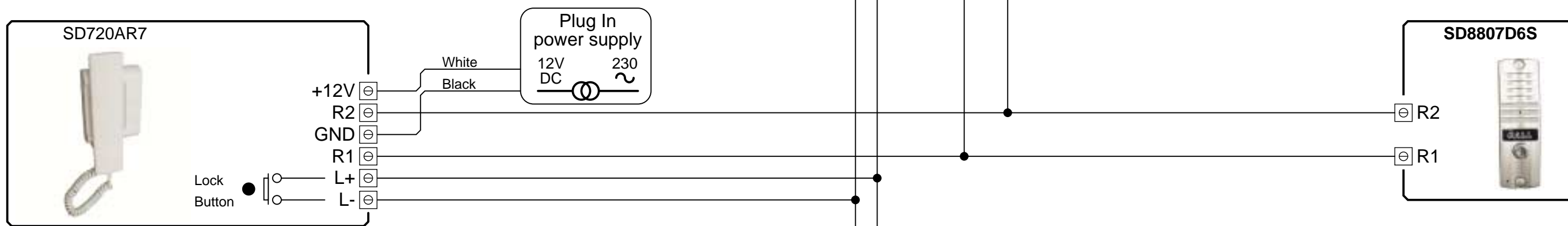
Check the wiring connections to the door station

Check handset is connected correctly to the base unit

Optional additional telephones



Contents of kit SDK-7D6S

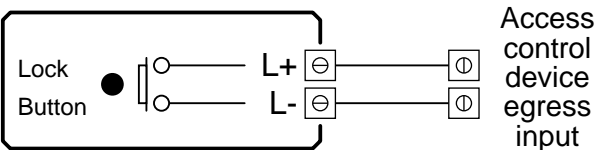


Locking Note:

The most popular locking configuration is shown (below) using the 9307.1 power supply with 9307.2 timer relay. However, if you are not using the 9307.1 power supply and 9307.2 relay you can control your lock or access control device directly from the telephone.

L+ and L- are simply a push to make voltage free switch

Interface to Access Control



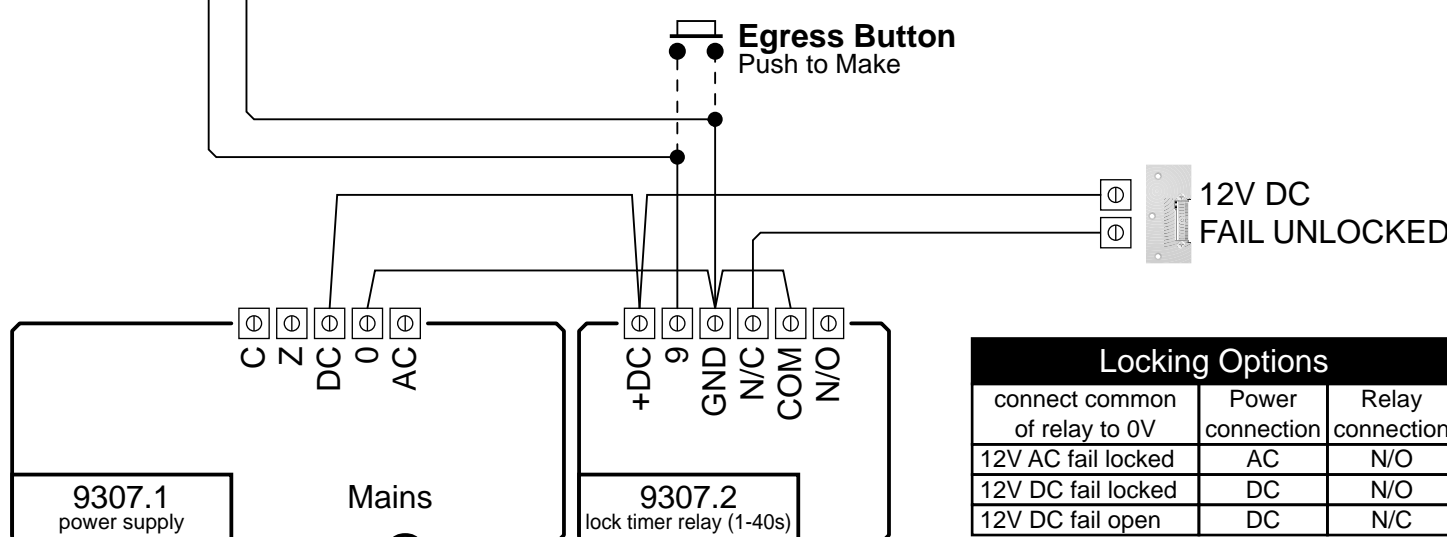
CABLE REQUIREMENTS

cable distance (metres)

1 ~ 100 4 x 0.5mm

Add these components if you require

- 12V DC supply for locking device
- 12V AC supply for locking device
- Timed lock release relay
- Lock to telephone cable length greater than 25 metres



Locking Options		
connect common of relay to 0V	Power connection	Relay connection
12V AC fail locked	AC	N/O
12V DC fail locked	DC	N/O
12V DC fail open	DC	N/C