

audio door entry system (using 9007 PSU) - installation instructions

IN9007 20020527

1 Getting started

Thank you for choosing SRS.

If you are installing this system with one entrance panel continue to step 2. If however you are installing more than one entrance please follow the instructions (IN9432) supplied with the multi entrance relay box.

2 Install the cables

Use CW1308 (BT spec.) twisted paired cable.

Choose cable layout fig. 1 or fig. 2

Any cable joint is potentially a cause of connection faults, it is therefore prudent to keep junctions to a minimum. For this reason we recommend making connections at the panel (max. 3 telephones) or at ONE point in the riser (usually adjacent to the power supply).

fig. 1 connections made in riser

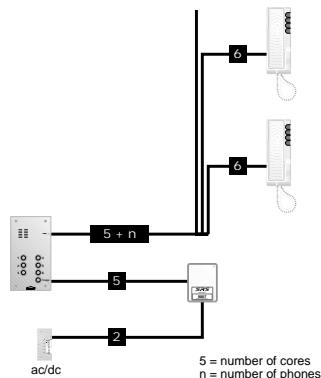
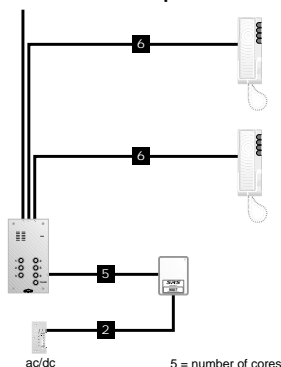


fig. 2 connections made in panel



3 Install the telephones

The telephones should be connected according to the diagram over-leaf. Ignore the dashed wires if additional features are not required.

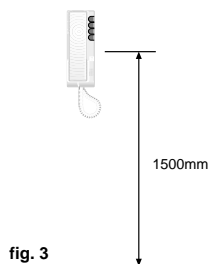


fig. 3

4 Install the entrance panel

Please refer to the instructions (IN4000) supplied with the door entry panel.

5 Operation

The audio door entry system functions as follows. Upon pressing one of the external buttons the corresponding house phone sounds. When the called house phone handset is picked up, contact is established and conversation may take place. In order to operate the electric lock the push button marked by a key symbol should be fully depressed.

9007 functions

The 9007 power supply unit (PSU) has built in lock release timer (with relay output), 12v ac, 12v dc, and tone outputs.

When the lock release button on the phone is pressed, terminal 9 and 6 (at the phone) are shorted, causing the lock release timer to start which in turn changes the state of the relay. The time can be adjusted between 1 - 40 seconds (approx).

The 12v ac (AC) and 12v dc (DC) terminals may be used to power lock releases up to 0.5 Amps.

Call tone options

- Use 12v ac buzzer call.**
Move connection from C (9007 PSU) to AC and move connections in all phones from C7 to 11. Buzzer call is louder. It is also able to drive a standard 8v ac door bell!
- Add an extension sounder**
One AN7817 per call button may be used.
- A different sounder**
You can use timer (SRS 5127) to trigger any low voltage sounder device.
- Solution for hard of hearing**
Strobe light (SRS 5126) and inductive ear piece (314410) are available for the hard of hearing.

Remember

Always fit the lock suppressor supplied, SRS 'TZ'. This device must be connected to all electric locks and electric releases. Fit directly across the lock terminals.

Trouble shooting

The first rule of trouble shooting is to make your system as simple as possible. ie. remove any non-essential connections.

High pitched screech:

- Excessive amplification (volume requires adjustment)
- Unhooked handset hanging down & facing wall
- Short circuit on wires 1 & 2
- Incorrect cable used
- Poor alignment of microphone to hole in front plate.

No speech

- Check for short circuits and/or breaks on wires 1 & 2.
- Check 12V dc at speaker unit

Lock release will not trigger

- Check lock connections
- Remove cable(s) from 9 at the 9007 (PSU). Trigger input with egress button. If this corrects the fault, check wire 9 to telephone.
- With a meter check lock relay output is changing state.

Alternative diagrams & data sheets are available. Call 0870 010 1001 or visit www.planetsrs.com.

1D 1H1E	1 entrance basic system
1D 3H1E	1 entrance system with 3 phones (simultaneous call)
1D nH1E	1 entrance system (without Trades button)
1D nH1ET	1 entrance system (with Trades button) <i>diagram over-leaf</i>
1D nH2E	2 entrance system (without Trades button)
1D nH2ET	2 entrance system (with Trades button) <i>diagram comes with relay instructions</i>
1D nHnE	multi entrance system (without Trades button)
1D nHnET	multi entrance system (with Trades button)

CE requirements

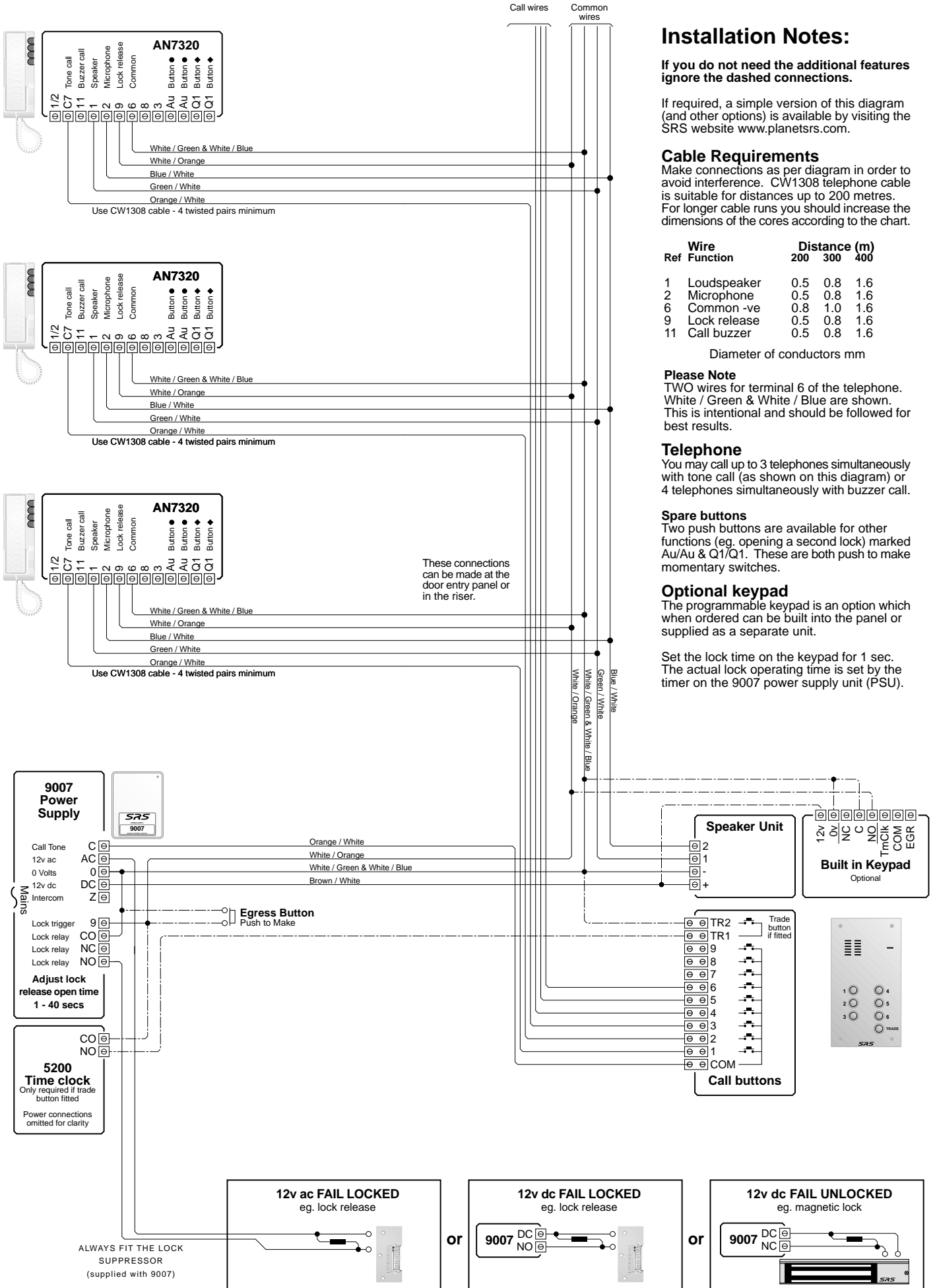
This product was tested for compliance with EC directive 89/336/EEC with the panel connected to Mains Earth.

Always ensure that external metal parts are independently connected to mains protective earth to avoid electrical shock hazard.



Single entrance audio door entry system - with trades facility

Drawing Reference : 1D nH1ET 20020521



Installation Notes:

If you do not need the additional features ignore the dashed connections.

If required, a simple version of this diagram (and other options) is available by visiting the SRS website www.planetsrs.com.

Cable Requirements

Make connections as per diagram in order to avoid interference. CW1308 telephone cable is suitable for distances up to 200 metres. For longer cable runs you should increase the dimensions of the cores according to the chart.

Wire Ref	Function	Distance (m)		
		200	300	400
1	Loudspeaker	0.5	0.8	1.6
2	Microphone	0.5	0.8	1.6
6	Common -ve	0.8	1.0	1.6
9	Lock release	0.5	0.8	1.6
11	Call buzzer	0.5	0.8	1.6

Diameter of conductors mm

Please Note

TWO wires for terminal 6 of the telephone. White / Green & White / Blue are shown. This is intentional and should be followed for best results.

Telephone

You may call up to 3 telephones simultaneously with tone call (as shown on this diagram) or 4 telephones simultaneously with buzzer call.

Spare buttons

Two push buttons are available for other functions (eg. opening a second lock) marked Au/Au & Q1/Q1. These are both push to make momentary switches.

Optional keypad

The programmable keypad is an option which when ordered can be built into the panel or supplied as a separate unit.

Set the lock time on the keypad for 1 sec. The actual lock operating time is set by the timer on the 9007 power supply unit (PSU).